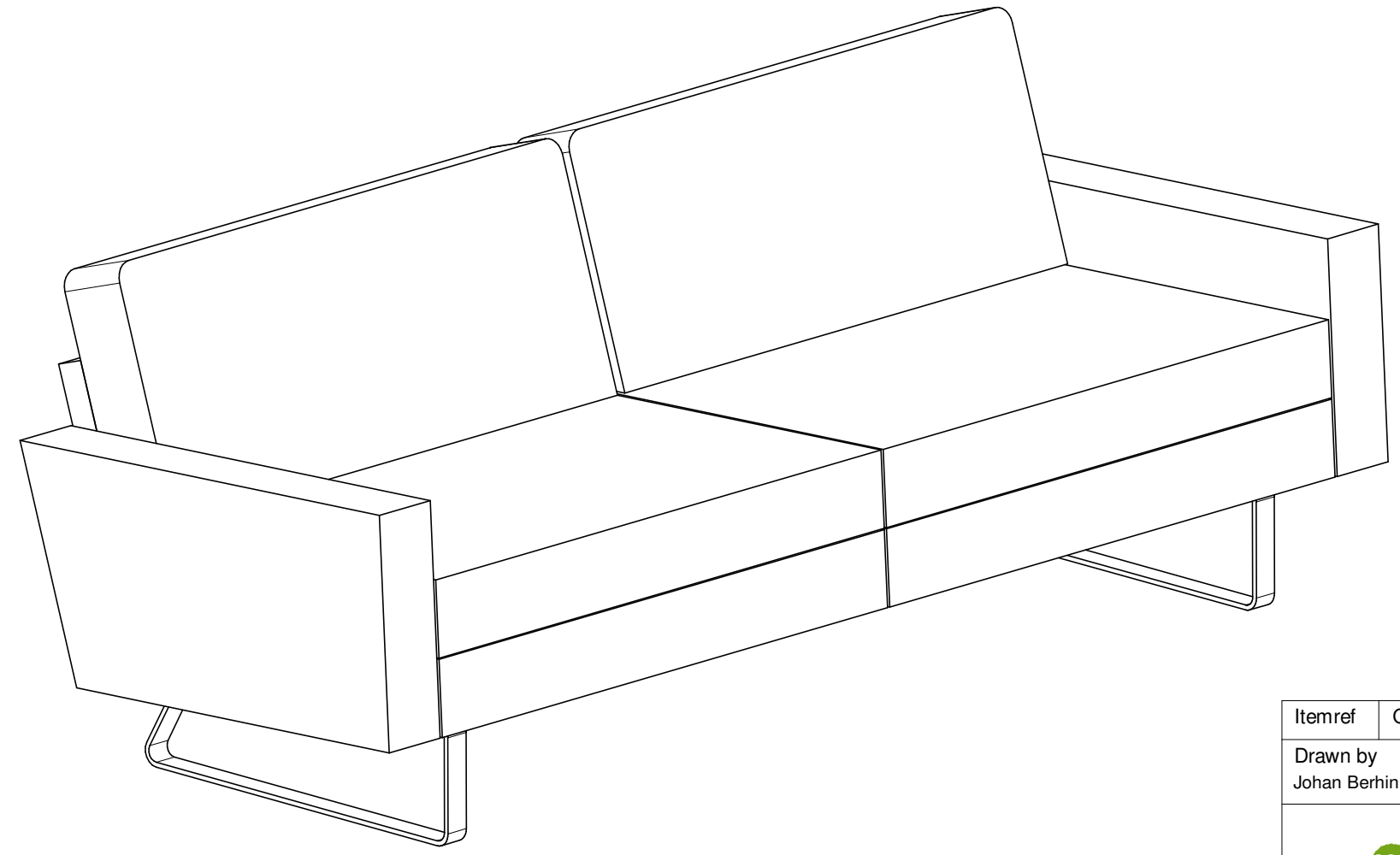
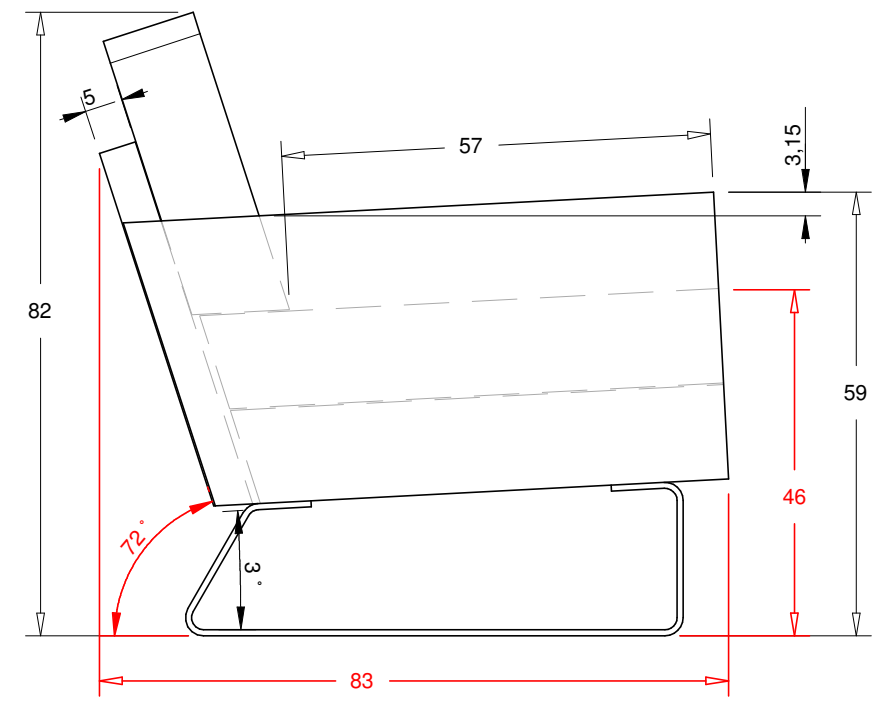
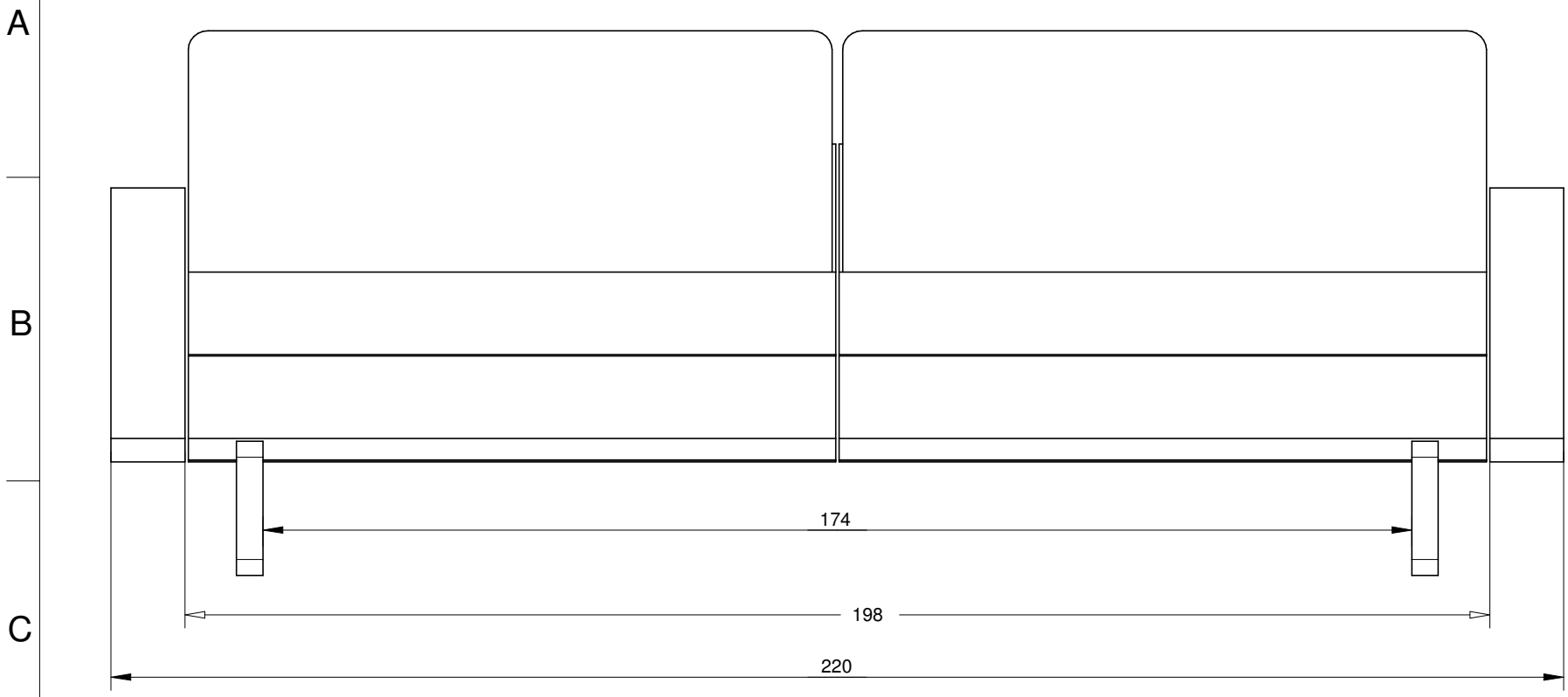


RevNo	Revision note	Date	Signature	Checked
-------	---------------	------	-----------	---------



Itemref	Quantity	Title/Name, designation, material, dimension etc			Article No./Reference
Drawn by Johan Berhin	Checked by	Approved by - date	File name	Date 2009-12-22	Scale
			Green Furniture Sofa nr1		Edition
					Sheet